

## 锰锌氧铁材料规格尺寸 Specification and Dimensions of **MnZn** Ferrtie Material

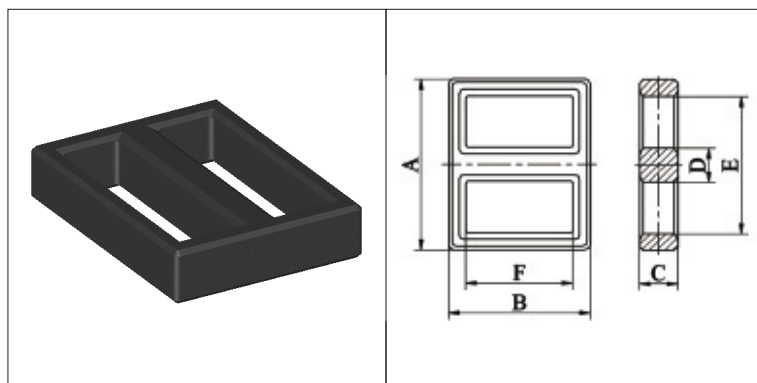


FIG.1

### ET 型 / ET Core

型号 TYPE	图例 FIG.	尺寸 Dimensions ( mm )					
		A	B	C	D	E	F
ET20B	1	20.1±0.5	20.1±0.5	4.4±0.3	4.0±0.2	15.7min	15.7min
ET20.1/20.1/5.4	1	20.1±0.4	20.1±0.4	5.4±0.2	4±0.2	16.1+0.4/-0.25	16.1+0.4/-0.25
ET20.1/26.3/5.4	1	20.1±0.4	26.3±0.5	5.4±0.2	4±0.2	16.1±0.4	21.6±0.4
ET20.3/21.7/5.4	1	20.3±0.3	21.7±0.3	5.4±0.2	4±0.15	16.2±0.3	17.6±0.3
ET20.3/26.3/5.5	1	20.3±0.4	26.3±0.5	5.5±0.3	4±0.2	16.3±0.4	21.6±0.4
ET21.3/21.3/5.5	2	21.3±0.5	21.3±0.5	5.5±0.25	4.5±0.25	16.1min	15.9min
ET23B	1	23.4±0.3	22.0±0.3	3.8±0.2	3.8±0.2	18.9min	17.4min
ET24	1	24+0.7/-0.4	24+0.7/-0.4	4±0.3	4±0.2	18.9min	18.9min
ET24D	1	24.0+0.7/-0.4	24.0+0.7/-0.4	4.0±0.3	4.0±0.2	19.2min	19.2min
ET25B	1	25.5±0.5	25.5±0.5	5.0±0.3	5.0±0.3	19.2min	19.2min
ET25E	2	24.5+0.7/-0.3	24.5+0.7/-0.3	7±0.3	6.6±0.2	19.5+0.85/-0.15	19.3min
ET28/34.8/6.4	1	28±0.5	34.8±0.5	6.4±0.3	6.4±0.3	22±0.4	28.8±0.5
ET28A	1	28.7±0.5	28.7±0.5	5.0±0.3	5.0±0.3	22.2min	22.2min
ET35B	1	35.3±0.6	35.3±0.6	7.5±0.3	7.5±0.25	27.3±0.5	27.3±0.5

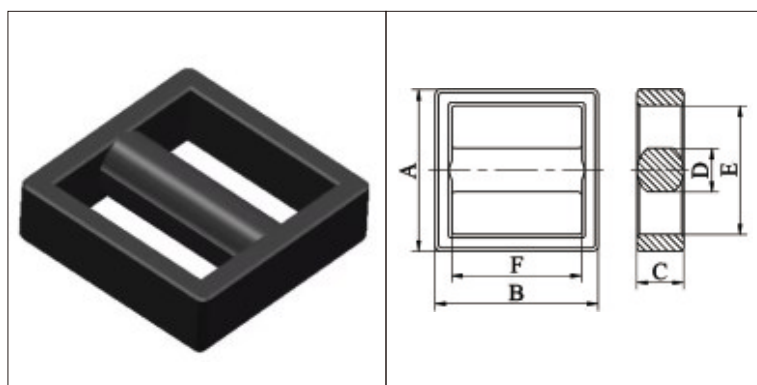


FIG.2

## ET 型 / ET Core

型号 TYPE	图例 FIG.	参数 Parameters				AL(Ref)*		重量(Ref) g /PRS
		C1	Ae	Le	Ve	TS5	TS10	
ET20B	1	2.93	17.31	50.76	878.7	2400	4300	4.60
ET20.1/20.1/5.4	1	2.3	22.05	50.77	1119.5		5100	5.35
ET20.1/26.3/5.4	1	2.80	22.36	61.89	1383.90	2450	4500	7.20
ET20.3/21.7/5.4	1	2.45	21.94	53.79	1180.20	1720	3680	5.57
ET20.3/26.3/5.5	1	2.73	22.78	62.09	1414.40	2500	4600	7.30
ET21.3/21.3/5.5	2	2.01	25.89	52.16	1350.40	2010	4310	6.18
ET23B	1	3.79	15.09	57.17	862.80	1800	3300	4.50
ET24	1	3.46	17.64	61.11	1077.90	2000	3600	5.60
ET24D	1	3.64	16.98	61.88	1050.80	1900	3400	5.50
ET25B	1	2.29	27.35	62.60	1712.00	3100	5500	8.60
ET25E	2	1.62	37.23	60.12	2238.40	4300	7700	11.60
ET28/34.8/6.4	1	2.10	39.29	82.71	3249.60	3200	5900	16.90
ET28A	1	2.57	27.87	71.61	1995.60	2700	4900	10.40
ET35B	1	1.50	58.59	86.69	5079.30	4800	8600	26.40

\*-AL为磁心对应参考值,具体规格以双方签订承诺书为准; AL测试条件:1kHz 0.3V 10Ts; AL单位:nH/N<sup>2</sup>

\*-图例仅展示产品形状,具体细节以实物或以双方签订承诺书为准。